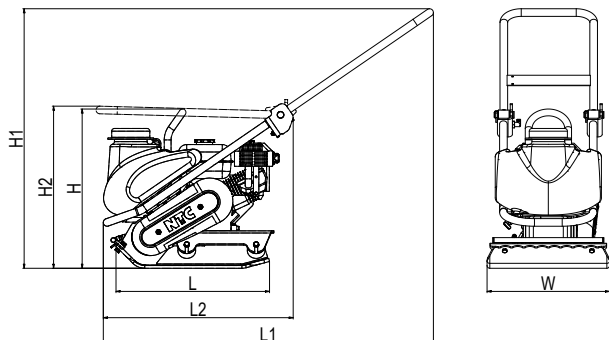


ELEGANT SERIES

FOR VERSATILITY AND JOY OF WORK

Modern machine with a high number of ergonomic elements and integrated sprinkling system for an asphalt compaction. Whatever application is planned, vibratory plates of Elegant series are always ready.





TYPE	Machine dimensions (mm)						
	H	H1	H2	L	L1	L2	W
VD 18	745	930	750	565	1200	695	450

TECHNICAL PARAMETERS

OPERATIONAL PARAMETERS

Operational weight	[kg]	95
Plate dimensions (W x L)	[mm]	450 x 565
Centrifugal force	[kN]	18
Frequency	[Hz]	100
Maximal speed	[m/min]	25

ENGINE

Maker and type	Honda	GX 160
Fuel	[-]	Petrol
Net power (3600 r./min)	[kW]	3,6
Emission class	[-]	EU Stage V

OPERATIONAL LIQUIDS

Fuel tank capacity (petrol)	[l]	3,1
Engine oil capacity (10W30)	[l]	0,6
Exciter oil capacity (10W30)	[l]	0,07

HYGIENE PARAMETERS

Noise level L _{pA,d}	[dB]	92+4
Noise level L _{WA,G}	[dB]	105
Vibration a _{hvd}	[m/s ²]	8,8+3,6

FEATURES

- Frame design
- Folding handle
- Central lifting eye
- Two-staged vibration reduction
- Handling points on all sides of the machine
- Rounded edges of the plate
- Sprinkling kit (water tank capacity 12 l)

OPTIONAL ACCESSORIES

- Soft pad for paving compaction
- Wheel kit for easy handling
- Hour counter
- Trottle lever on the handle