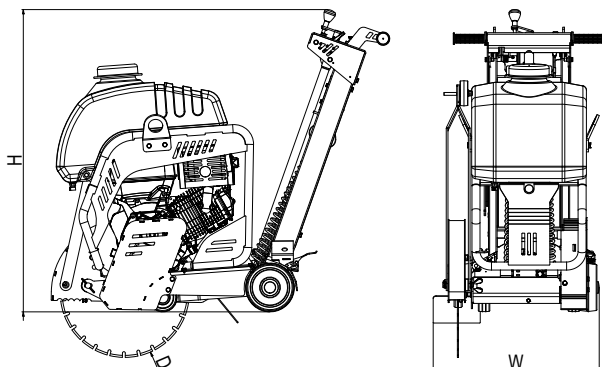


FOR THE GREATEST EXPECTATION

These machines are our top-line range of manual joint cutters. They are fully equipped for large workloads, quick commissioning or shutdown, as well as easy control of cutting accuracy.





TYPE	Dimensions (mm)			
	H	W	D _{MIN}	D _{MAX}
RZ 122	1055	580	350	400

FEATURES
Frame design
Lifting and anchor eyes
Foot brake
Integrated sprinkling system
Sealed bearings in the wheels

TECHNICAL PARAMETERS

OPERATING PARAMETERS

Weight	[kg]	105
Maximal cutting depth	[mm]	120/140
Blade diameter	[mm]	350/400
Blade connection	[mm]	25,4
Rpm w/o load	[rpm]	3400
Drive	[-]	Manual
Electric start	[-]	No

ENGINE

Maker and type	Honda	GX 270
Fuel	[-]	Petrol
Net power (3600 rpm)	[kW]	6,3
Cyclone filter	[-]	No
Emission class	[-]	EU Stage V

OPERATING FLUIDS

Water tank capacity (sprinkling)	[l]	33
Fuel tank capacity (petrol)	[l]	5,3
Engine oil capacity (10W30)	[l]	1,1

HYGIENIC PARAMETERS

Noise level L _{pA,d}	[dB]	101
Noise level L _{WA,G}	[dB]	110
Vibration a _{hvd}	[m/s ²]	12,5

OPTIONAL ACCESSORIES

Hour counter	<input type="checkbox"/>
Diamond blade for asphalt	<input type="checkbox"/>
Diamond blade for concrete and reinforced concrete	<input type="checkbox"/>