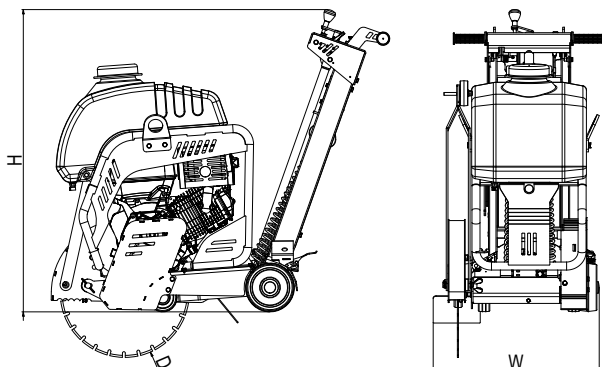


FOR THE GREATEST EXPECTATION

These machines are our top-line range of manual joint cutters. They are fully equipped for large workloads, quick commissioning or shutdown, as well as easy control of cutting accuracy.





TYPE	Dimensions (mm)			
	H	W	L	D
RZ 172	1055	580	1180	450

FEATURES
Frame design
Lifting and anchor eyes
Foot brake
Integrated sprinkling system
Sealed bearings in the wheels

## TECHNICAL PARAMETERS

OPERATING PARAMETERS		
Weight	[kg]	120
Maximal cutting depth	[mm]	170
Blade diameter	[mm]	450
Blade connection	[mm]	25,4
Rpm w/o load	[rpm]	2800
Drive	[-]	Manual
Electric start	[-]	No

## OPTIONAL ACCESSORIES

Hour counter	<input type="radio"/>
Diamond blade for asphalt	<input type="radio"/>
Diamond blade for concrete and reinforced concrete	<input type="radio"/>

ENGINE		
Maker and type	Honda	GX 390
Fuel	[-]	Petrol
Net power ( 3600 rpm )	[kW]	8,7
Cyclone filter	[-]	No
Emission class	[-]	EU Stage V

OPERATING FLUIDS		
Water tank capacity (sprinkling)	[l]	33
Fuel tank capacity (petrol)	[l]	6,1
Engine oil capacity (10W30)	[l]	1,1

HYGIENIC PARAMETERS		
Noise level L <sub>pA,d</sub>	[dB]	104
Noise level L <sub>WA,G</sub>	[dB]	111
Vibration a <sub>hvd</sub>	[m/s <sup>2</sup> ]	14,5