

FOR THE GREATEST EXPECTATION

These machines are our top-line range of manual joint cutters. They are fully equipped for large workloads, quick commissioning or shutdown, as well as easy control of cutting accuracy.



**Control panel**

All controls as cut control, throttle lever or emergency stop button are located on the main control panel for easy access.

**Vibration reduction**

Extra reduction element to ensure the highest comfort for the operator.

**Sprinkling system**

Integrated with tilting water tank with capacity 33 l and sprinkling on both sides of the blade.

**Side lifting eyes**

To be used as a lifting eyes or as anchor points for safe transport.

**Robust design**

Ensures the highest durability and cut stability.

**Cut control**

Front and rear cut accuracy indicators.

**Service points**

Easy access to all service points.

**Engine**

Available with Honda GX series and Hatz B series (RZ 202H).



**Foot brake**

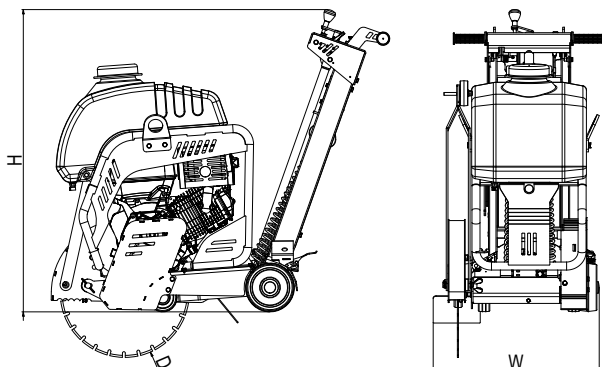
A quick and easy way to brake or release the machine.

**Smooth cut**

Thanks to sealed bearings used for travel wheels.

**Safety pulley**

Three V-belts ensures the highest level of engine protection against overload.



| TYPE   | Dimensions (mm) |     |                  |                  |
|--------|-----------------|-----|------------------|------------------|
|        | H               | W   | D <sub>MIN</sub> | D <sub>MAX</sub> |
| RZ 202 | 1055            | 580 | 500              | 520              |

| FEATURES                      |
|-------------------------------|
| Frame design                  |
| Lifting and anchor eyes       |
| Foot brake                    |
| Integrated sprinkling system  |
| Sealed bearings in the wheels |

## TECHNICAL PARAMETERS

| OPERATING PARAMETERS  |       |         |
|-----------------------|-------|---------|
| Weight                | [kg]  | 120     |
| Maximal cutting depth | [mm]  | 190/200 |
| Blade diameter        | [mm]  | 500/520 |
| Blade connection      | [mm]  | 25,4    |
| Rpm w/o load          | [rpm] | 2500    |
| Drive                 | [-]   | Manual  |
| Electric start        | [-]   | No      |

## OPTIONAL ACCESSORIES

|  |                          |
|--|--------------------------|
| Hour counter                                       | <input type="checkbox"/> |
| Diamond blade for asphalt                          | <input type="checkbox"/> |
| Diamond blade for concrete and reinforced concrete | <input type="checkbox"/> |

| ENGINE                 |       |            |
|------------------------|-------|------------|
| Maker and type         | Honda | GX 390     |
| Fuel                   | [-]   | Petrol     |
| Net power ( 3600 rpm ) | [kW]  | 8,7        |
| Cyclone filter         | [-]   | No         |
| Emission class         | [-]   | EU Stage V |

| OPERATING FLUIDS                 |     |     |
|----------------------------------|-----|-----|
| Water tank capacity (sprinkling) | [l] | 33  |
| Fuel tank capacity (petrol)      | [l] | 6,1 |
| Engine oil capacity (10W30)      | [l] | 1,1 |

| HYGIENIC PARAMETERS           |                     |      |
|-------------------------------|---------------------|------|
| Noice level L <sub>pA,d</sub> | [dB]                | 104  |
| Noice level L <sub>WA,G</sub> | [dB]                | 111  |
| Vibration a <sub>hvd</sub>    | [m/s <sup>2</sup> ] | 14,5 |